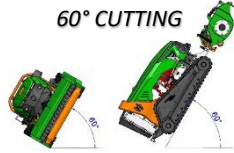


Green Climber^{NA}

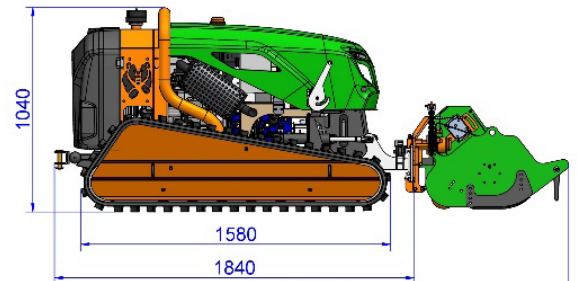
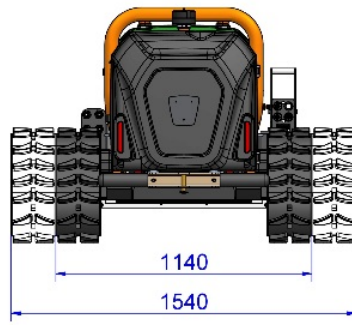
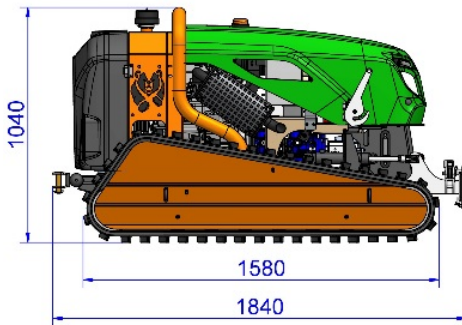
REMOTE-CONTROLLED
INDUSTRIAL SLOPE MOWERS

LV300 PRO

REMOTE-CONTROLLED SLOPE MOWER



The LV600 PRO is the first of the 300 series Green Climber to implement the Yanmar Tier IV Final Liquid Cooled Engines. The PRO series incorporates the safety and innovation of the 600 series into the compact, lightweight frame of the 300. The result is a strong, versatile machine able withstand the harshest of cutting environments!



LV300 PRO SPECIFICATIONS:

Dry Weight:	1720 LBS
Flail Weight:	375 LBS
Max Working Gradient:	60 Degrees, All Directions
Speed:	5.5 MPH
Flail Speed:	3300 RPM

ENGINE SPECIFICATIONS:

Engine Model:	Yanmar 3TNV80F (Tier 4 Final)
Engine Power:	25 Hp
Engine Torque:	85.9 Nm
Cooling Style:	Liquid Cooled
Fuel Tank Capacity:	5.6 Gallons

ADDITIONAL FEATURES:

Flail Side Shift: 16 Inches L & R
Track Extension: 16 Inches
Remote Range: 1,000 Ft
On-Board Batter Charger
Clean-Fix Automated Fan
Digital Computer with Maintenance Notifications