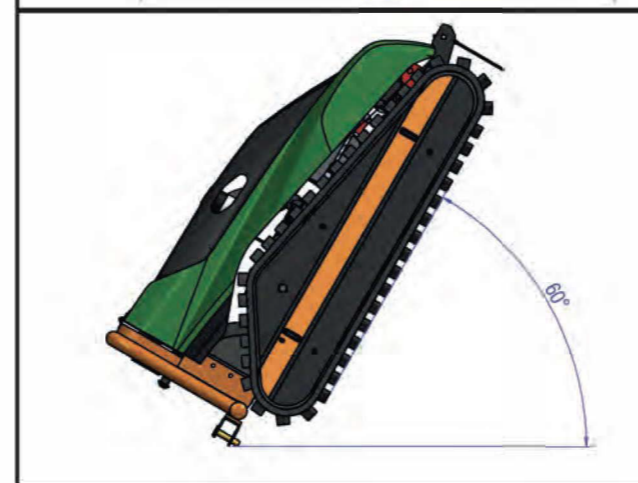
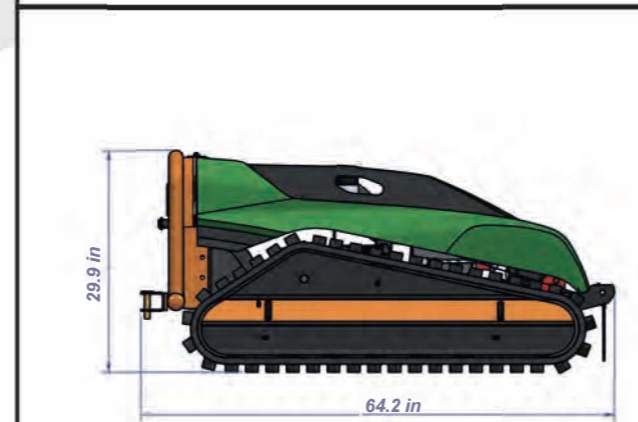
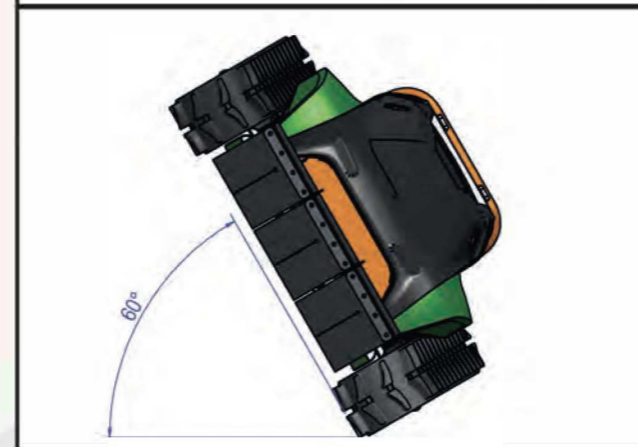
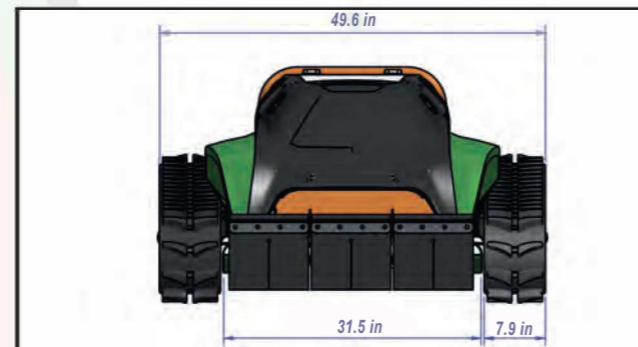




Green Climber F23

TECHNICAL SPECIFICATIONS

MAX. WORKING GRADIENT	up to 60°
2 SPEED	4 mph (LOW SPEED) 6 mph (HIGH SPEED)
ENGINE	KAWASAKI FS730V EFI AIR COOLED - V TWIN
ENGINE POWER	16,6 KW, 23 HP NET POWER GROSS POWER 25,5HP
EMISSIONS REGULATIONS COMPLIANCE	STAGE V & EPA TIER 4 FINAL
FLUEL	PETROL
FUEL TANK CAPACITY	5.6 gal
CUTTING WIDTH	31.5 in
NUMBER OF BLADES	2 MOB DELTA BLADES
CUTTING HEIGH	1 TO 5 in ELECTRONICALLY ADJUSTABLE
DRY WEIGHT	470 kg 1036 lbs
TRACTION DRIVE	HYDROSTATIC TRANSMISSION ELECTRONIC PROPORTIONAL
MOWER DRIVE	2 BELT DRIVE WITH ELECTROMAGNETIC CLUTCH/BRAKE - FAST STOP



Green Climber
STAGE V ready



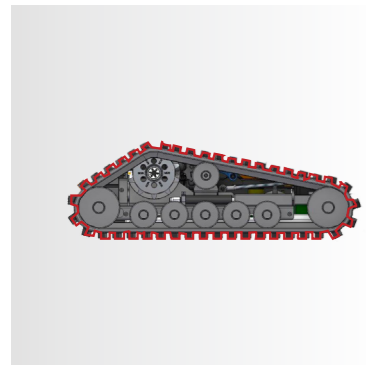
F23 F300PRO LV300PRO



LV600Plus LV800



TOWING HITCH



TOUGH UNDERCARRIAGE WITH STEEL ROLLERS, ANTI-DETRACKING SYSTEM AND GREASE TENSIONER



TOUGH SWINGING BLADE



HIGH GRASS NO PROBLEM



BI-DIRECTIONAL CUTTING



CUTTING HEIGHT ELECTRONICALLY ADJUSTABLE



DRIVING IS EXTREMELY EASY AND PRECISE SINCE THE ADVANCEMENT AND STEERING OF THE TRACKS TAKE PLACE THROUGH A SINGLE JOYSTICK, LEAVING THE OTHER HAND FREE FOR ALL THE OTHER FUNCTIONS OF THE REMOTE CONTROL.